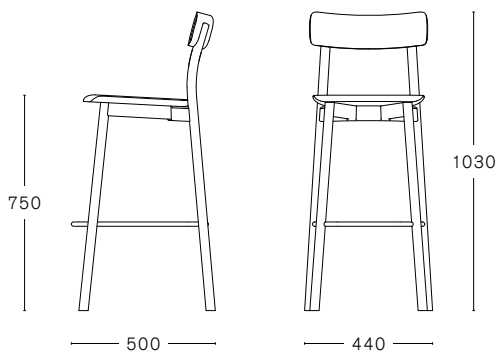


CHIARO BAR STOOL

design by **LEON RANSMEIER**

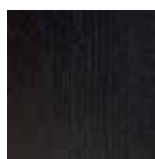


TECHNICAL INFORMATION

MAX. PER BOX 1 STOOL	GROSS WEIGHT CA. kg 9,50	VOLUME 0,28 m ³	BOX SIZE 480 x 545 x 1070 mm
-------------------------	-----------------------------	-------------------------------	---------------------------------

FINISHINGS

ASH



BLACK



GREY



WHITE



BLUE



DARK RED



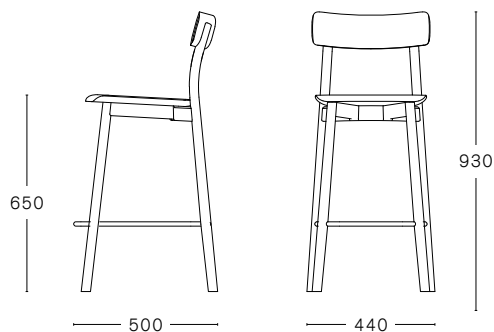
YELLOW



NATURAL

CHIARO COUNTER STOOL

design by **LEON RANSMEIER**

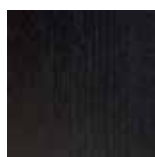


TECHNICAL INFORMATION

MAX. PER BOX 1 STOOL	GROSS WEIGHT CA. kg 9,50	VOLUME 0,28 m ³	BOX SIZE 480 x 545 x 1070 mm
-------------------------	-----------------------------	-------------------------------	---------------------------------

FINISHINGS

ASH



BLACK



GREY



WHITE



BLUE



DARK RED



YELLOW



NATURAL