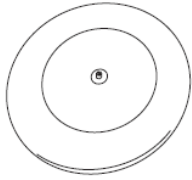


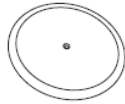


# SOLO TABLES

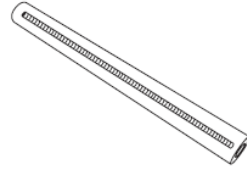
## Assembly Instructions



tabletop 1 ×



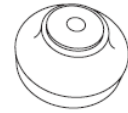
foot 1 ×



column 1 × with metal rod inside

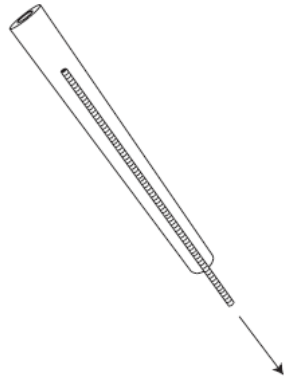


screws 1 ×



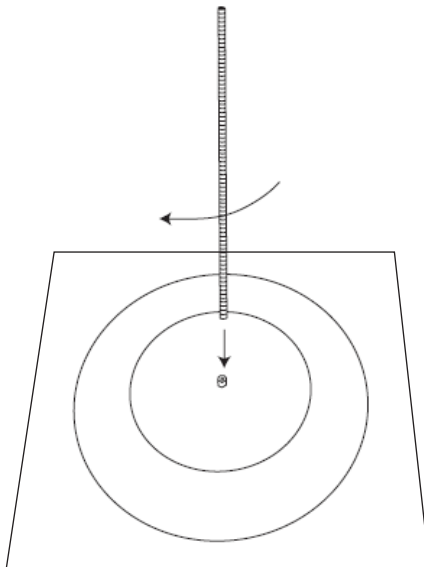
segment 1 ×

1



Unscrew the metal rod that is inside the column.

2



Place the tabletop on a protected, flat and clean surface. It is suggested to use our carton box and plastic sheet.

Screw the metal rod onto the tabletop.

CAUTION: The tabletop is heavy. Assemble the table together with another person.



M

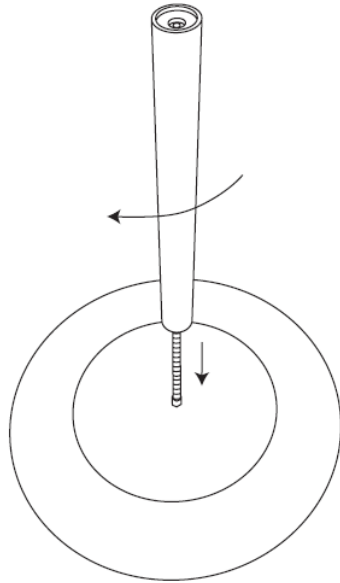
C

5

# SOLO TABLES

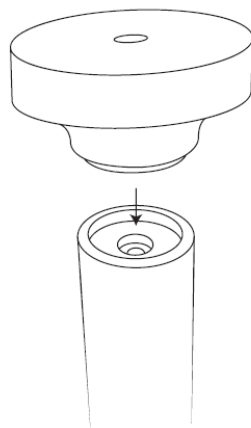
## Assembly Instructions

3



Screw the column onto the rod  
(the nut inside the column facing upwards).

4



Put the segment on top.

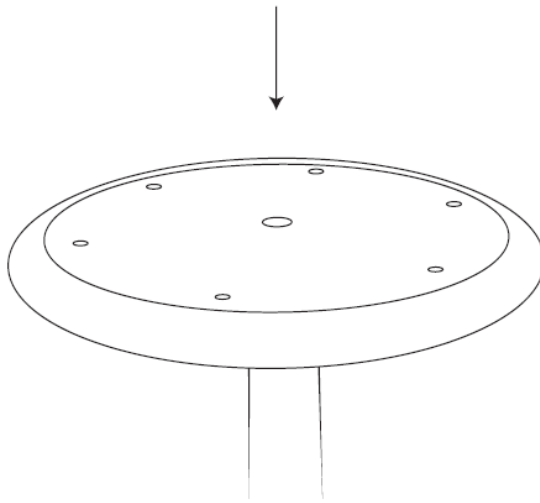
CAUTION: The tabletop is heavy. Assemble the table together with another person.



# SOLO TABLES

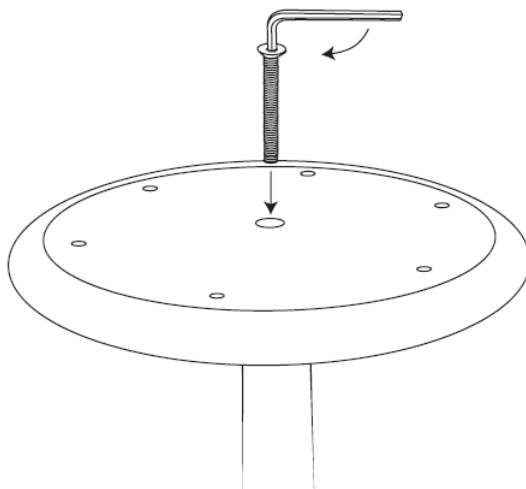
## Assembly Instructions

5



Put the foot on top.

6



Fix everything with the screw.  
Tighten hard using a 6mm key.

CAUTION: The tabletop is heavy. Assemble the table together with another person.