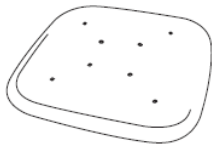


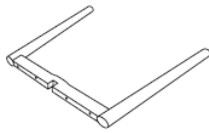


OSSO TABLES

Assembly Instructions



tabletop 1 ×



base segments 2 ×

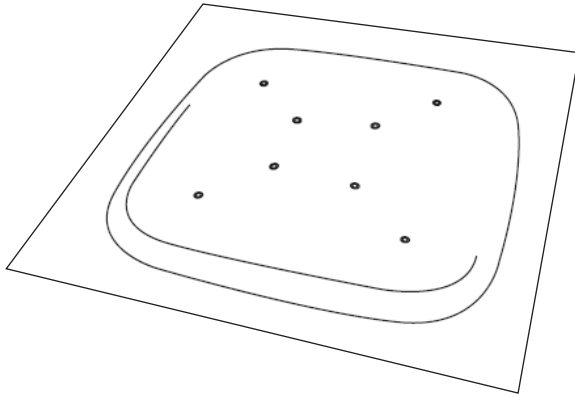


sleeves 8 ×



screws 8 ×

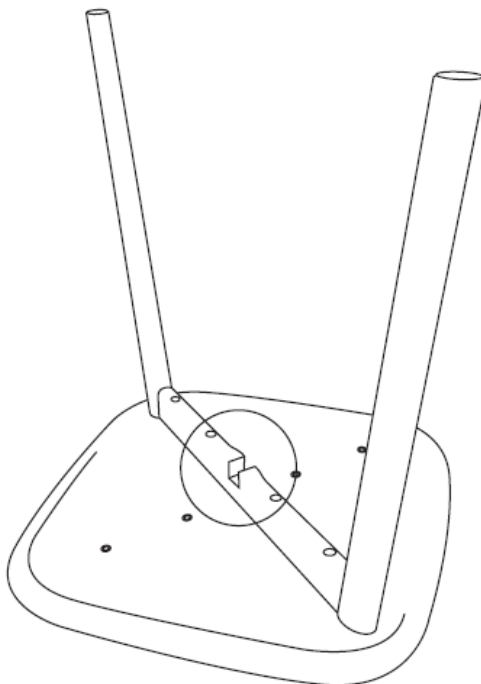
1



Place the tabletop on a protected, flat and clean surface. It is suggested to use our carton box and plastic sheet.

Place the tabletop on a flat surface with the holes facing upwards.

2



Position the two base segments. Note that the segment with the recess facing upwards is placed first (circle).

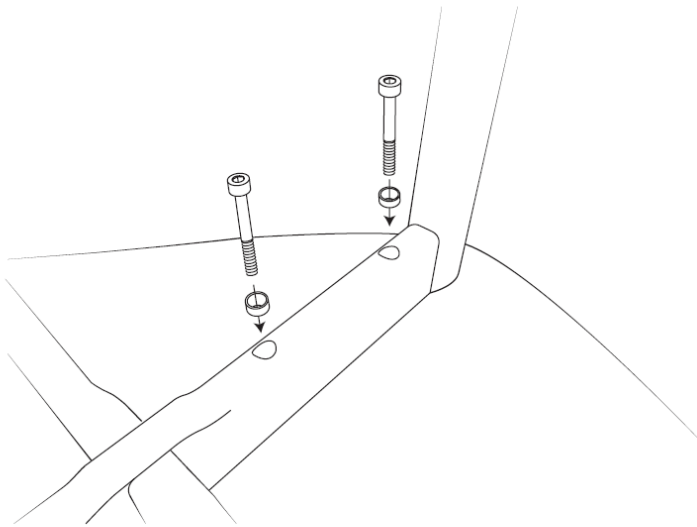
CAUTION: The tabletop is heavy. Assemble the table together with another person.



OSSO TABLES

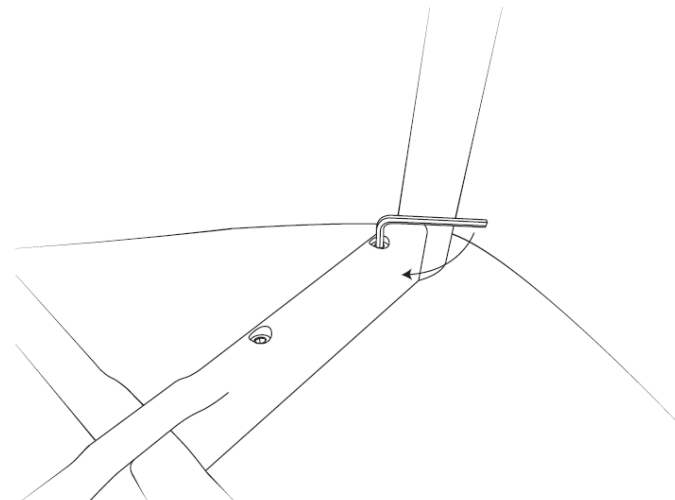
Assembly Instructions

3



Use 1 sleeve and 1 screw for each hole to fix the base to the tabletop.

4



Tighten hard using a 6mm key.

CAUTION: The tabletop is heavy. Assemble the table together with another person.