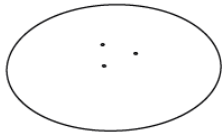




# OSSO TABLES

## Assembly Instructions



tabletop 1 ×



base segments 3 ×

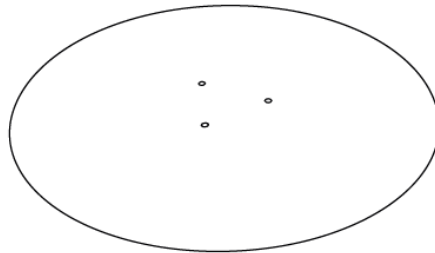


sleeves 3 ×



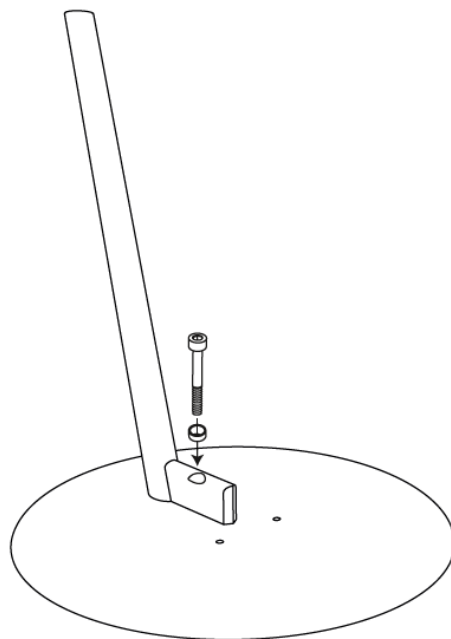
screws 3 ×

1



Place the tabletop on a flat surface with the holes facing upwards.

2



Position and fix the three base segments one by one.

CAUTION: The tabletop is heavy. Assemble the table together with another person.



M

C

3

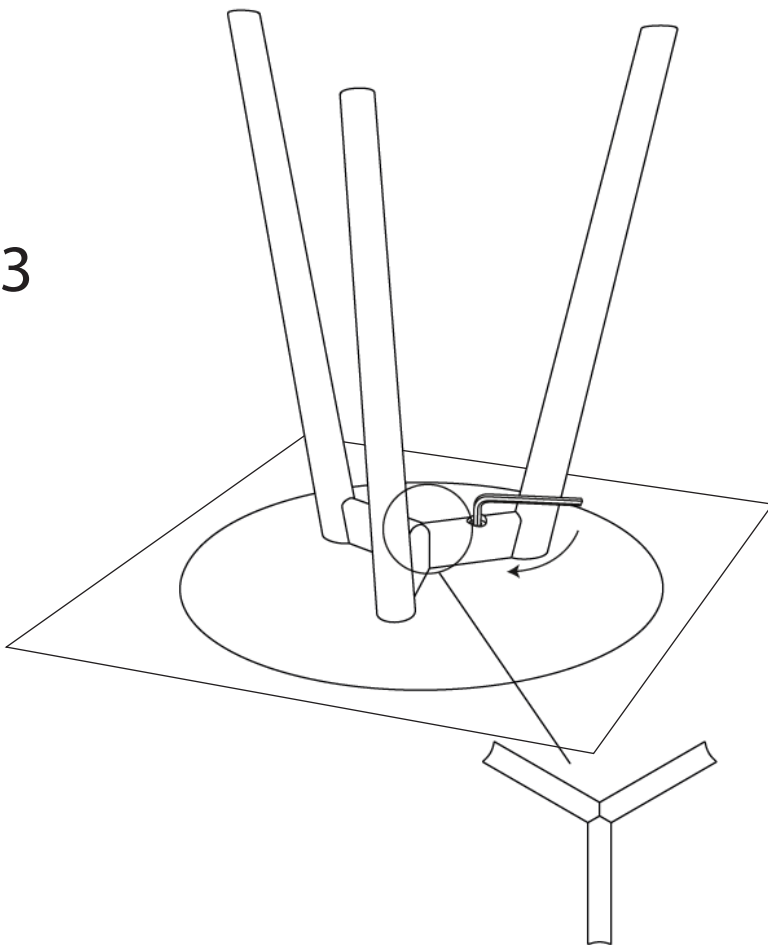
---

## OSSO TABLES

### Assembly Instructions

---

3



Place the tabletop on a protected, flat and clean surface. It is suggested to use our carton box and plastic sheet.

Use 1 sleeve and 1 screw for each hole to fix the base to the tabletop.

CAUTION: The tabletop is heavy. Assemble the table together with another person.



MATTIAZZI  
ITALY

Mattiazzi srl Via Sottorive, 19/2 33048 S. Giovanni al Natisone (UD) Italy T +39 0432 75 74 74 F +39 0432 75 65 72 info@mattiazzi.eu www.mattiazzi.eu