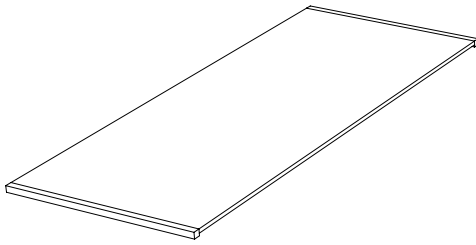


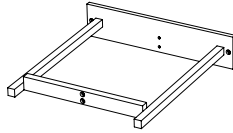


# CLERICI TABLE

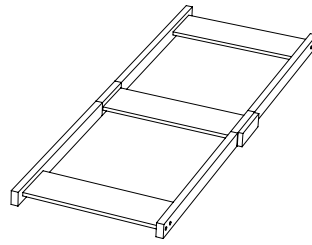
## Assembly Instructions



tabletop 1 x



legs 2 x



stretcher 1 x

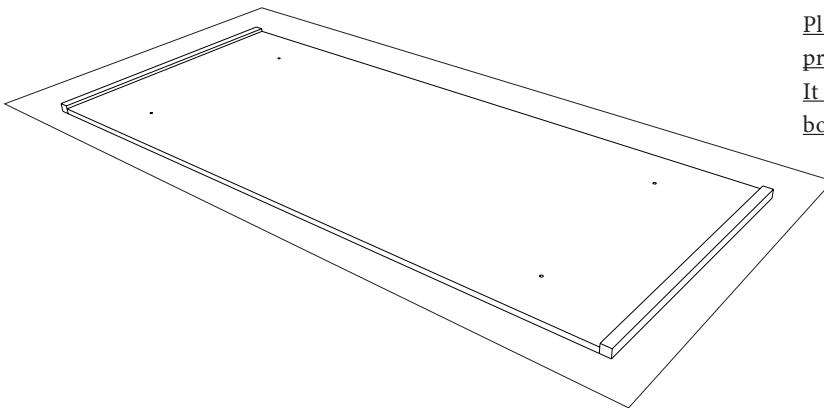


screws 12 x  
(3 types A,B,C)



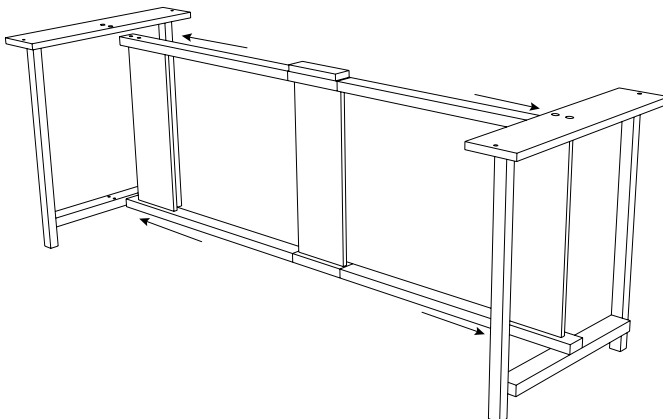
sleeves 12 x

1



Place the tabletop on a protected, flat and clean surface. It is suggested to use our carton box and plastic sheet.

2



Position the table stretcher between the legs.

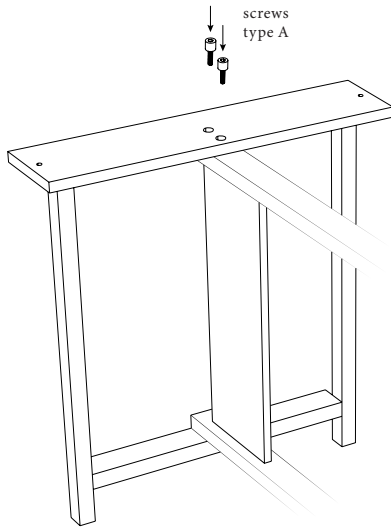
CAUTION: The tabletop is heavy. Assemble the table together with another person.



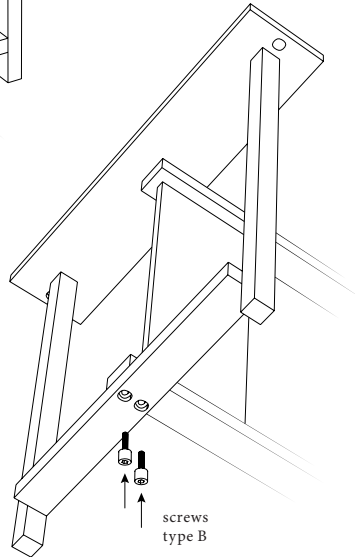
# CLERICI TABLE

## Assembly Instructions

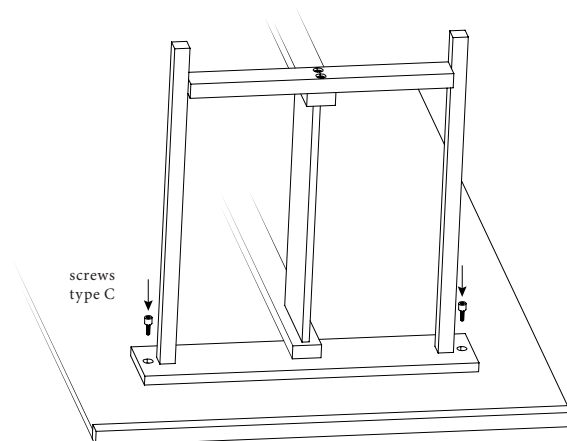
3



Fix the stretcher to the legs by using the screws with sleeves.



4



Position the legs on the tabletop and fix it by using the screws with sleeves.

CAUTION: The tabletop is heavy. Assemble the table together with another person.