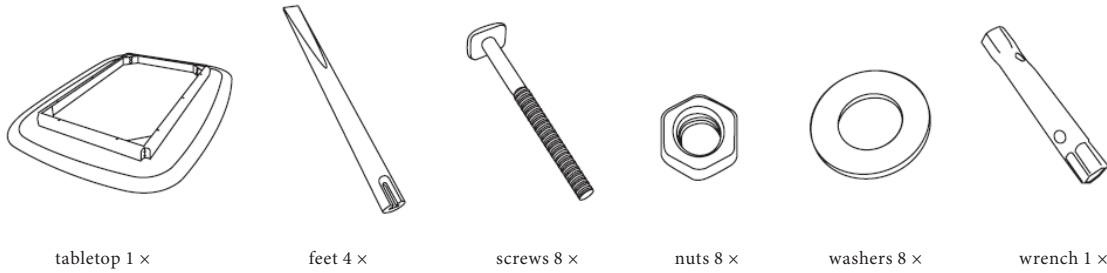
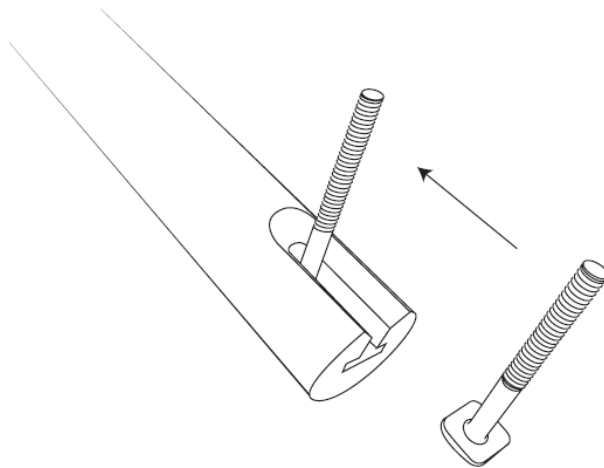


BRANCA TABLES
 Assembly Instructions

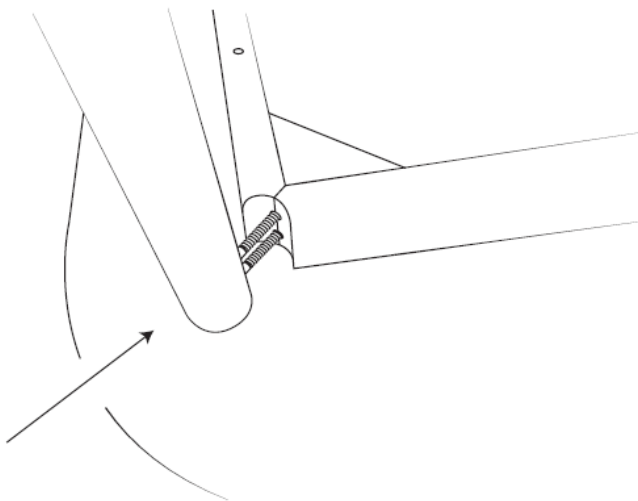


1



Place 2 screws loosely in the groove at the top of the leg.

2



Place the tabletop on a protected, flat and clean surface. It is suggested to use our carton box and plastic sheet.

Position the leg at the corner of the table and insert screws in holes. Push until the leg is in place.

CAUTION: The tabletop is heavy. Assemble the table together with another person.



M

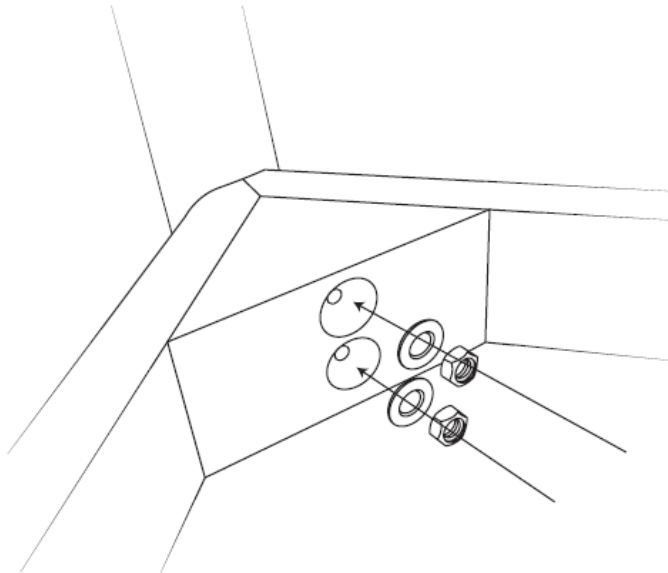
C

2

BRANCA TABLES

Assembly Instructions

3



Use 1 washer and 1 nut for each screw to fix the leg.

CAUTION: The tabletop is heavy. Assemble the table together with another person.



MATTIAZZI
ITALY