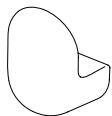

PALMO HOOK

Assembly Instructions



hook 3 ×



screw 6 ×



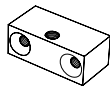
SX6 plug* 6 ×



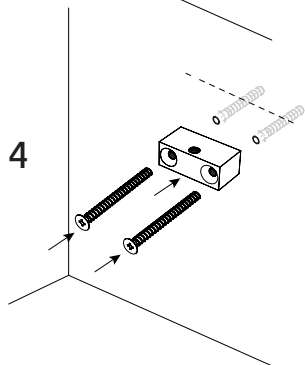
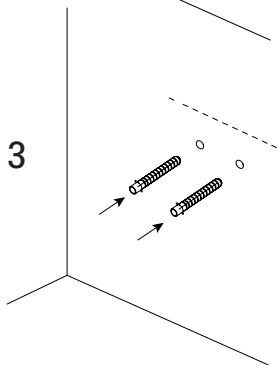
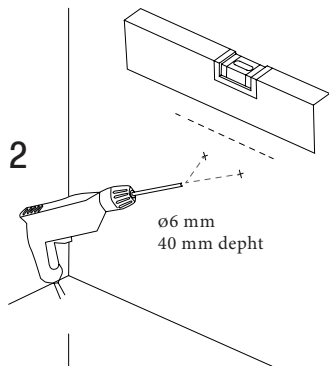
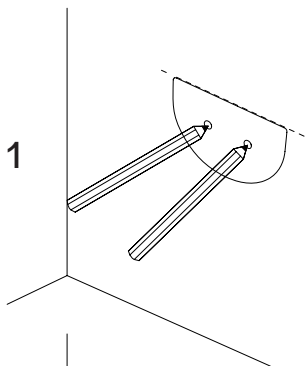
template 1 ×



grub screw 3 ×

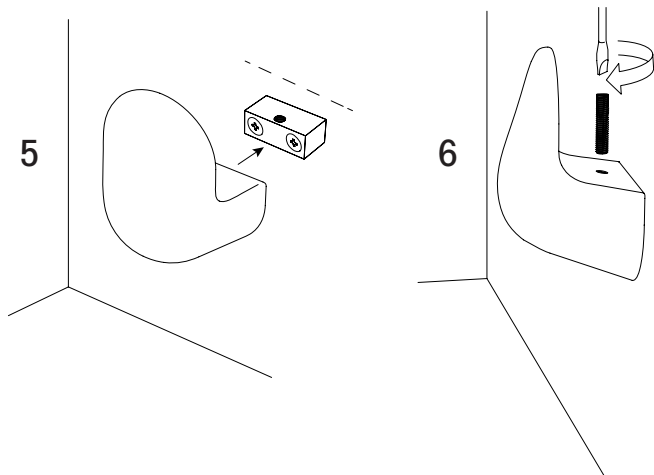


metal plate 3 ×



PALMO HOOK

Assembly Instructions



* The provided plug is for concrete or brick wall.
For any other wall type, please ask for advice in your local hardware store.



MATTIAZZI
ITALY