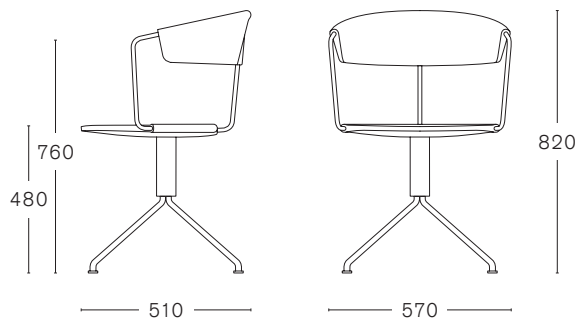


**UNCINO VERSION A**

design by **RONAN & ERWAN BOUROULLEC**



**TECHNICAL INFORMATION**

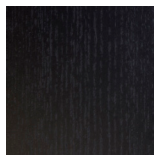
MAX. PER BOX 1 CHAIR	GROSS WEIGHT CA. kg 16,00	VOLUME 0,33 m <sup>3</sup>	BOX SIZE 640 x 570 x 890 mm
-------------------------	------------------------------	-------------------------------	--------------------------------

**FINISHINGS**

ASH



NATURAL



BLACK

METAL FRAME



BLACK