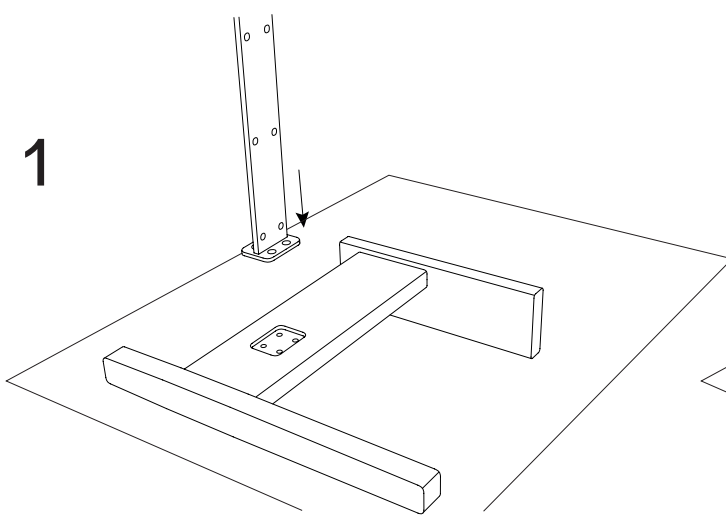
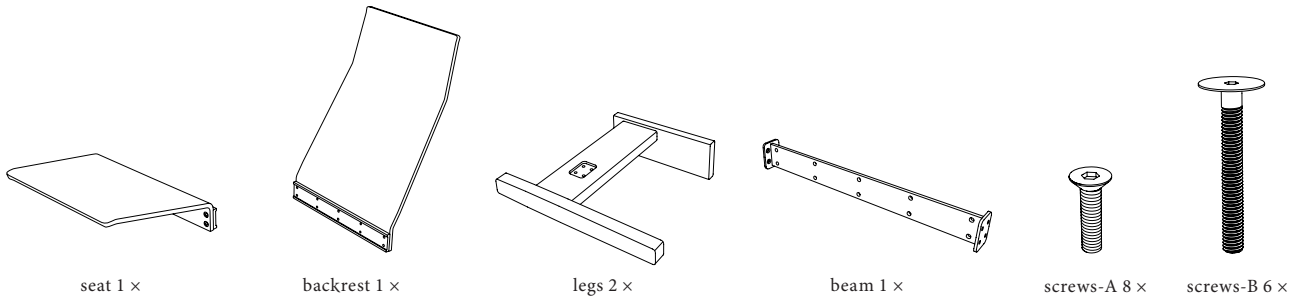
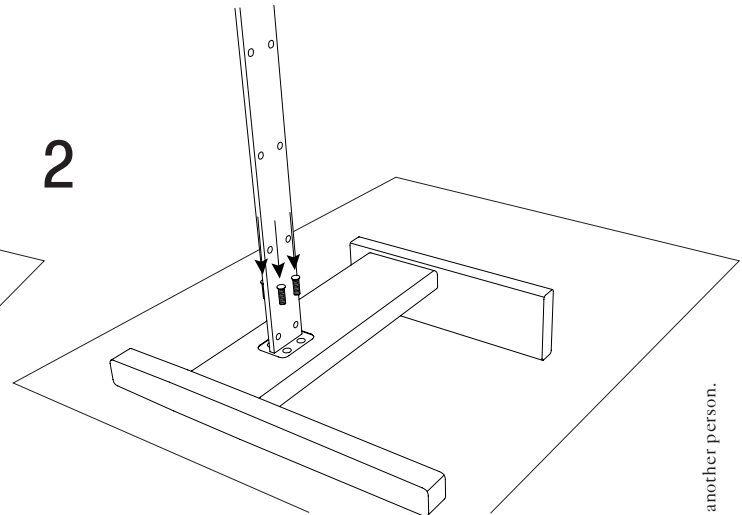


QUINDICI LOUNGE

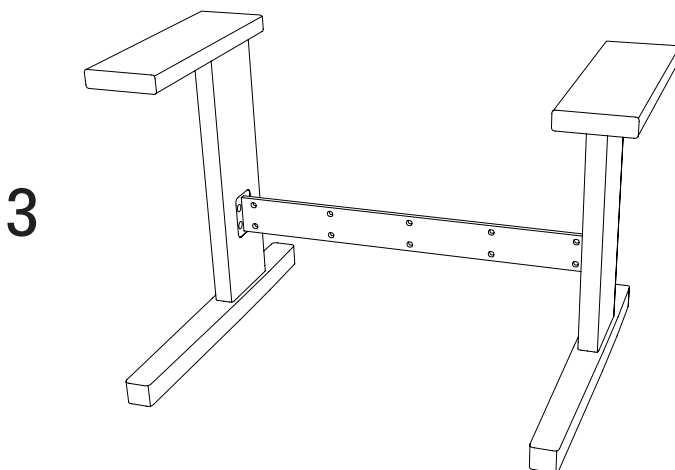
Assembly Instructions



Place one leg on a flat and clean surface.
Insert the beam as shown on the picture



Fix the beam to the leg by using 4 screws-A per leg.
Repeat for the second leg in the other side.



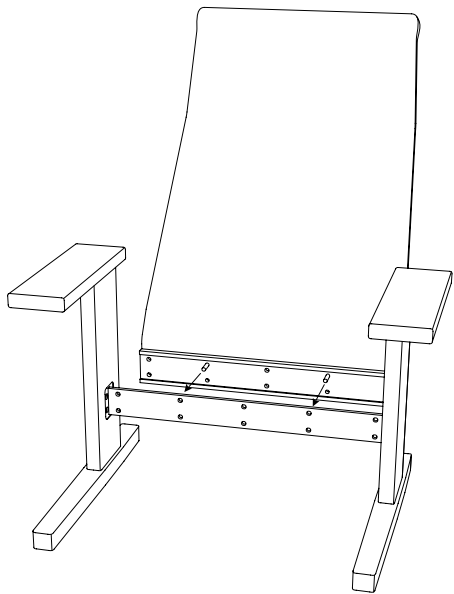
Position the legs as shown in the
picture

CAUTION: Assemble the chair together with another person.

QUINDICI LOUNGE

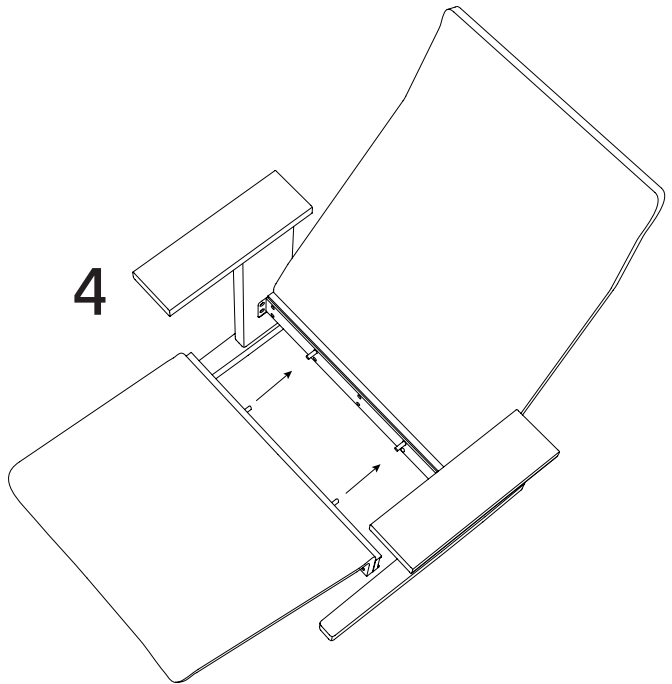
Assembly Instructions

3



Insert the backrest as shown in the picture

4

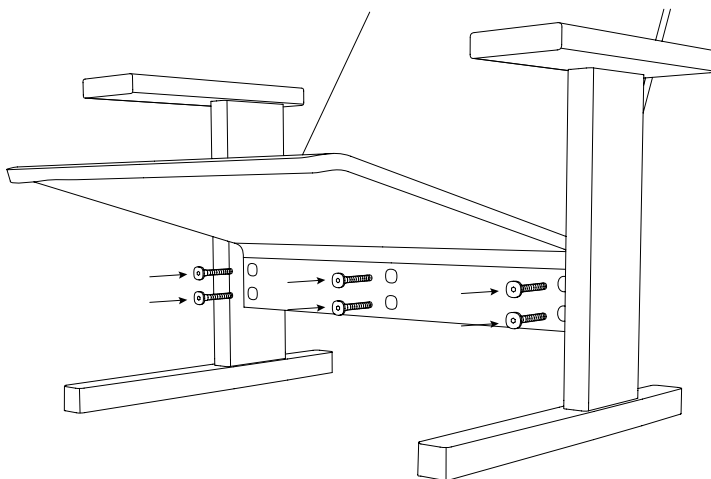


Insert the seat as shown in the picture



Be careful to keep joined the two pieces.

5



Fix the seat to the backrest using the 6 long screws-B.



Be careful to first position all the screws and finally tighten them.

CAUTION: Assemble the chair together with another person.