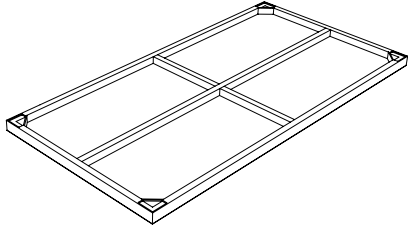
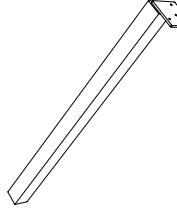


# PRIMO

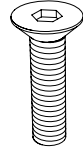
## Assembly Instructions



tabletop 1 ×

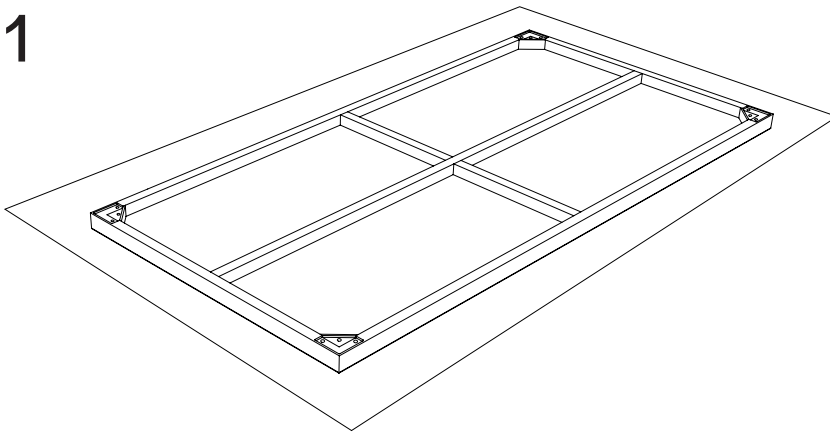


legs 4 ×



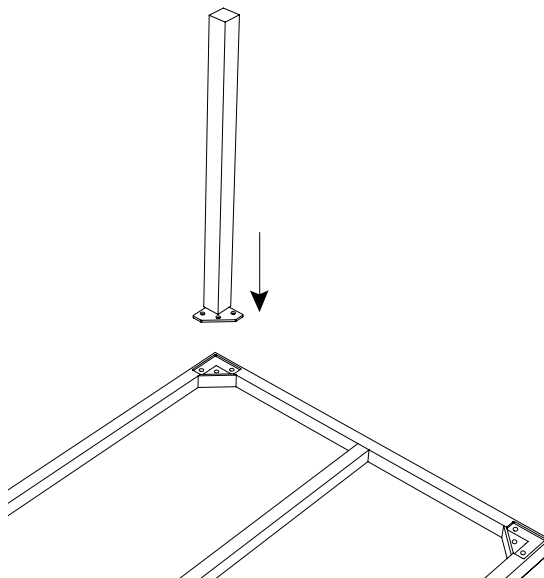
screws 12 ×

1



Place the tabletop upside down  
on a flat and clean surface.

2



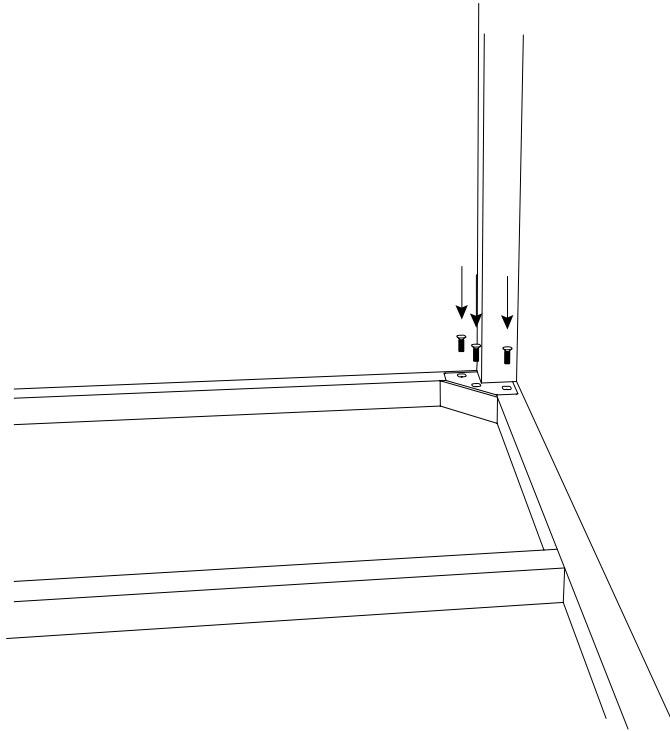
Insert the leg as shown on the  
picture.

CAUTION: The tabletop is heavy. Assemble the table together with another person.

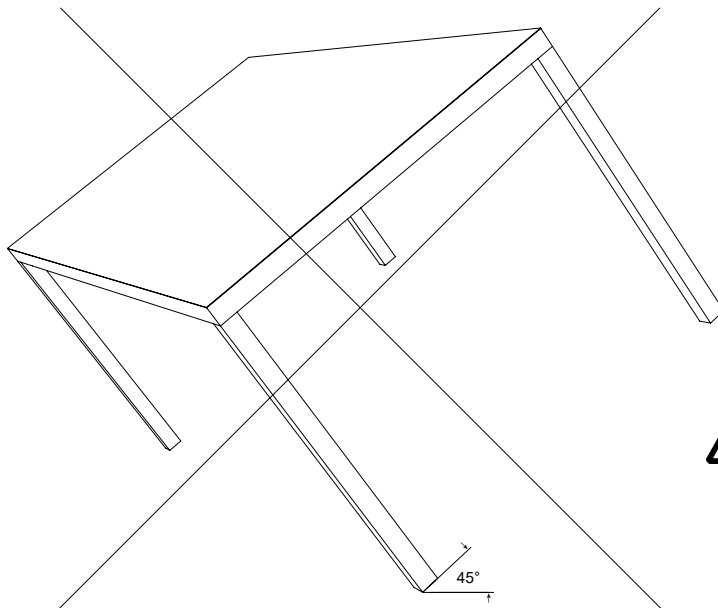
# PRIMO

## Assembly Instructions

### 3



Fix the leg to the tabletop by using 3 screws per leg.



**NOTE**  
DO NOT KEEP THE TABLE IN UNUSUAL POSITIONS

CAUTION: The tabletop is heavy. Assemble the table together with another person.